



Save-T® Pool Covers

General Information for Installing a Save-T® Pool Cover

This is a general guide on factors to consider for the installation of a Save-T automatic cover system.

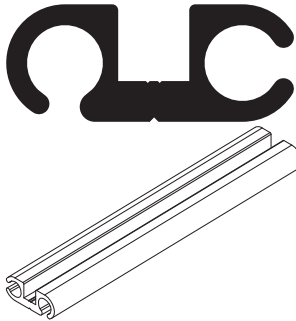
Detailed installation instructions are available.

TRACK OPTIONS

Based on the pool design, choose the appropriate track style and any options.

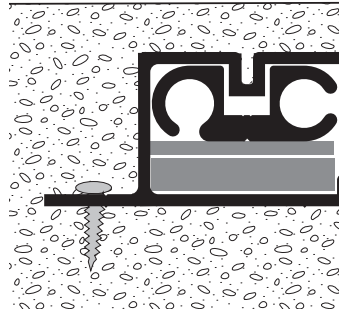
Rectangular Pools

actual size



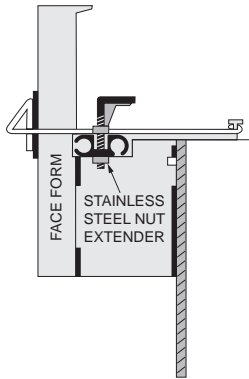
Undertrack

- Mounted under deck coping
- Anodized aluminum
- Easier installation and replacement of rope



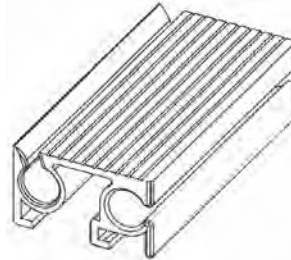
Track Channel

- For concrete and fiberglass pools
- Raised-wall applications
- Track channel allows for custom cantilever profiles
- Foam or wood forms can be incorporated for deck profiles



Form-Mounted Track

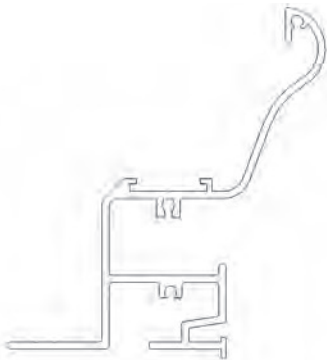
- Track L-bolts are secured into poured deck
- Foam or wood forms can be incorporated for deck profiles



Recessed In-Deck Track

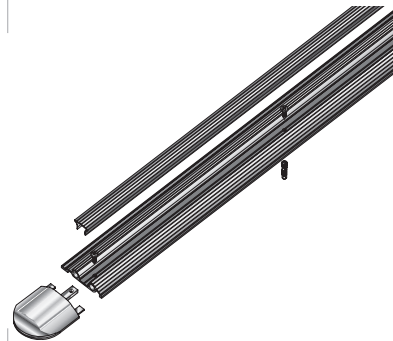
- For new or existing pools
- Installed flush with deck
- Vinyl-liner, fiberglass or concrete pools
- No unsightly screws
- Anodized aluminum

not to scale—see opposite page



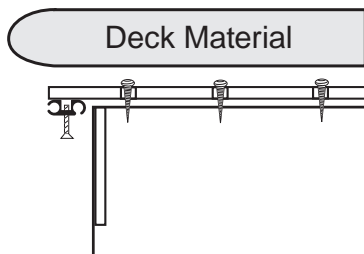
Vinyl-Liner Pool Coping Undertrack System

- For vinyl-liner pools
- 90°, 6" and 24" corners available
- Tracks locked in place by shims



SnapTop™ Universal Track

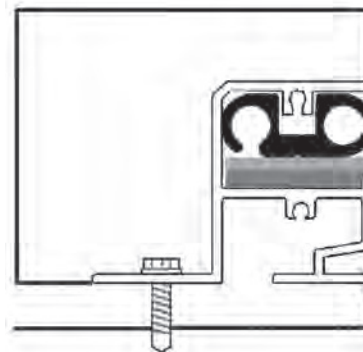
- For existing decks
- Low profile
- Installed on top of deck
- Anodized aluminum
- Accommodates gliders or wheels
- Screws are concealed
- Standard universal track also available



Deck Straps

- For porous coping, brick, flagstone, and materials less than 2" thick
- Mounted every 2' of track
- For deck-on-deck pools

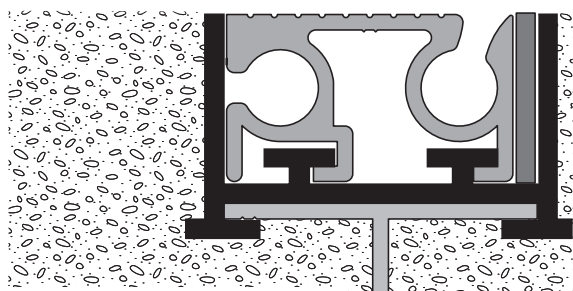
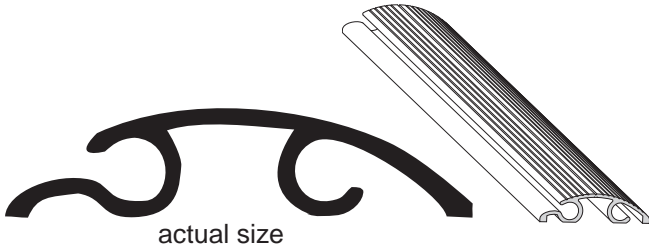
All exposed aluminum extrusions can be painted to match deck color.



Vinyl-Liner Pool Track Channel

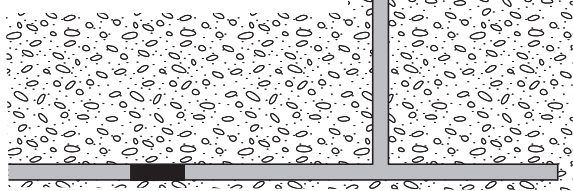
- Track channel allows for custom cantilever profiles
- Foam or wood forms can be incorporated for deck profiles
- Can be used with Cover-Pools Reusable Coping Form

Freeform Pools



Recessed In-Deck Track

- For new or existing pools
- Used for both freeform and rectangular pools
- Tracks locked in place by shims



Universal Deck-Mounted Track

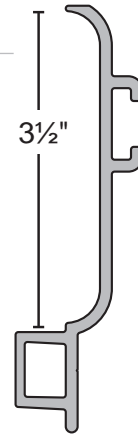
- For existing decks
- Low profile
- Installed on surface of the deck
- Anodized aluminum
- SnapTop™ universal track also available

Form D

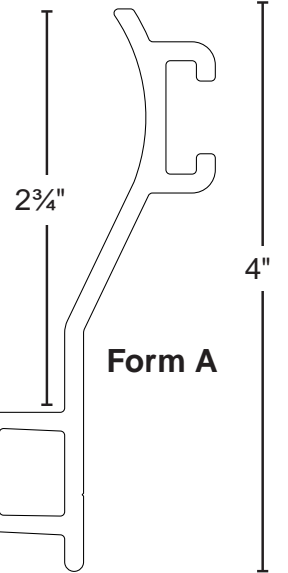


Reusable Coping Form

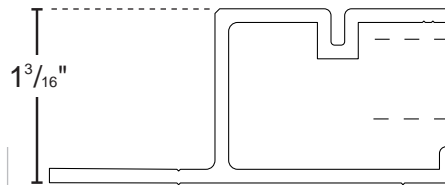
- For concrete, fiberglass and vinyl-liner pools
- Eliminates the need for foam or wood forms
- Extruded aluminum



Form B



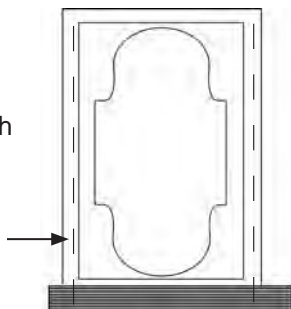
Form A



Deck-on-Deck Pools

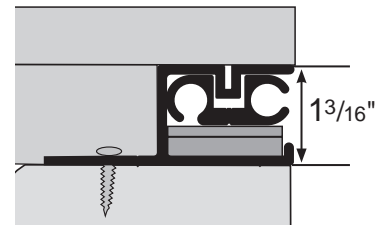
Create a rectangular frame around the freeform pool for an undertrack installation with track channel.

track channel or deck straps



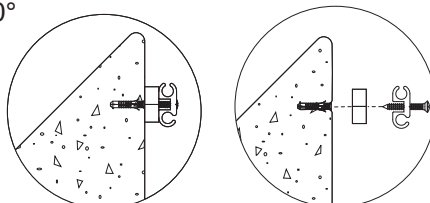
Track Channel

- For concrete, fiberglass or vinyl-liner pools
- Raised-wall applications
- Track channel allows for custom cantilever profiles
- Foam or wood forms can be incorporated for deck profiles



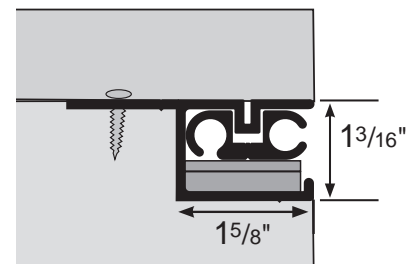
Vanishing-Edge Pools

Create a 45° or 90° vanishing edge



Track Channel Inverted Mount

- For any deck surface, such as flagstone, slate or tile, that does not meet basic undertrack mounting conditions (surfaces less than 2" thick or softer materials)

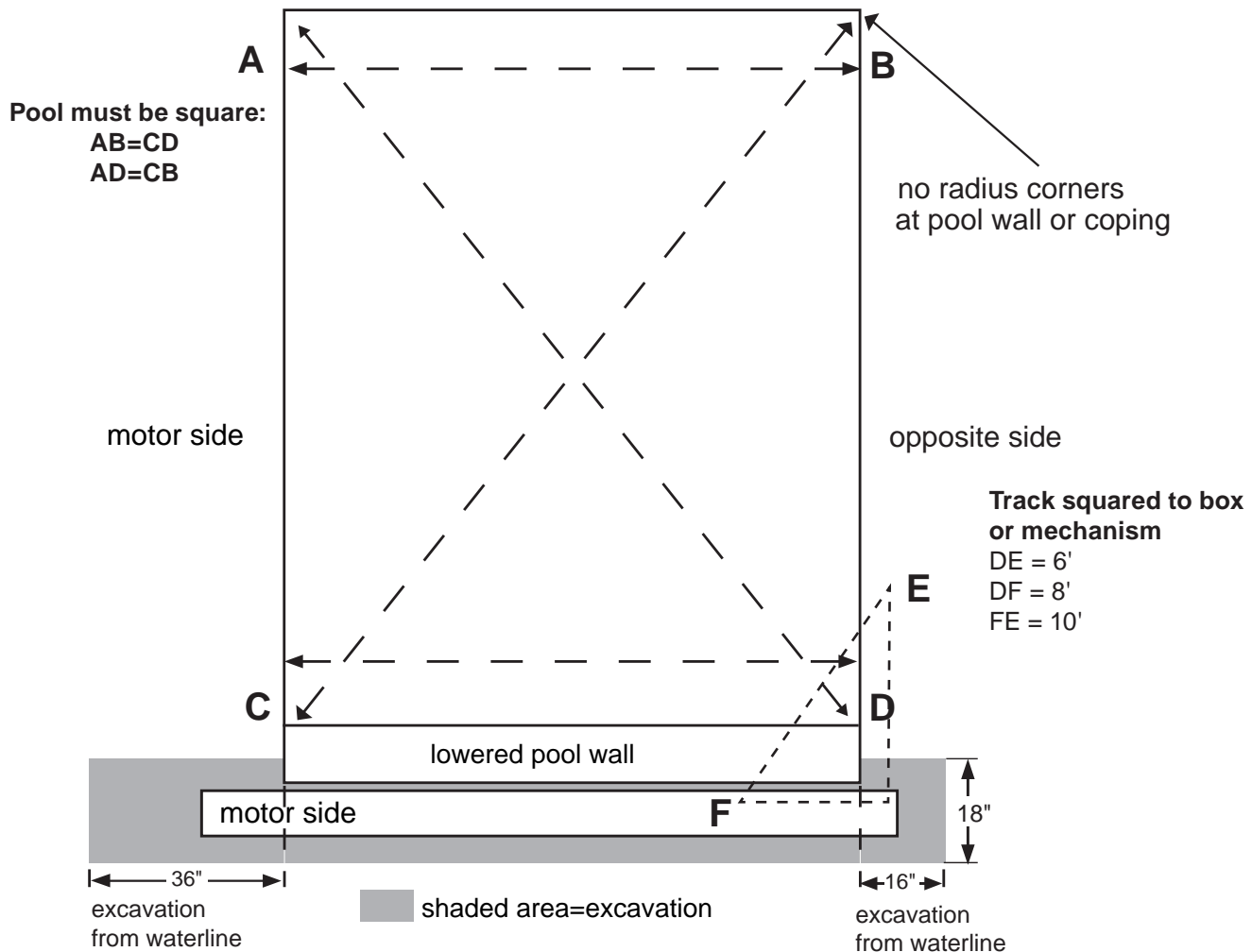


EXCAVATION AND PLUMBING

Consider any special requirements for excavation and plumbing.

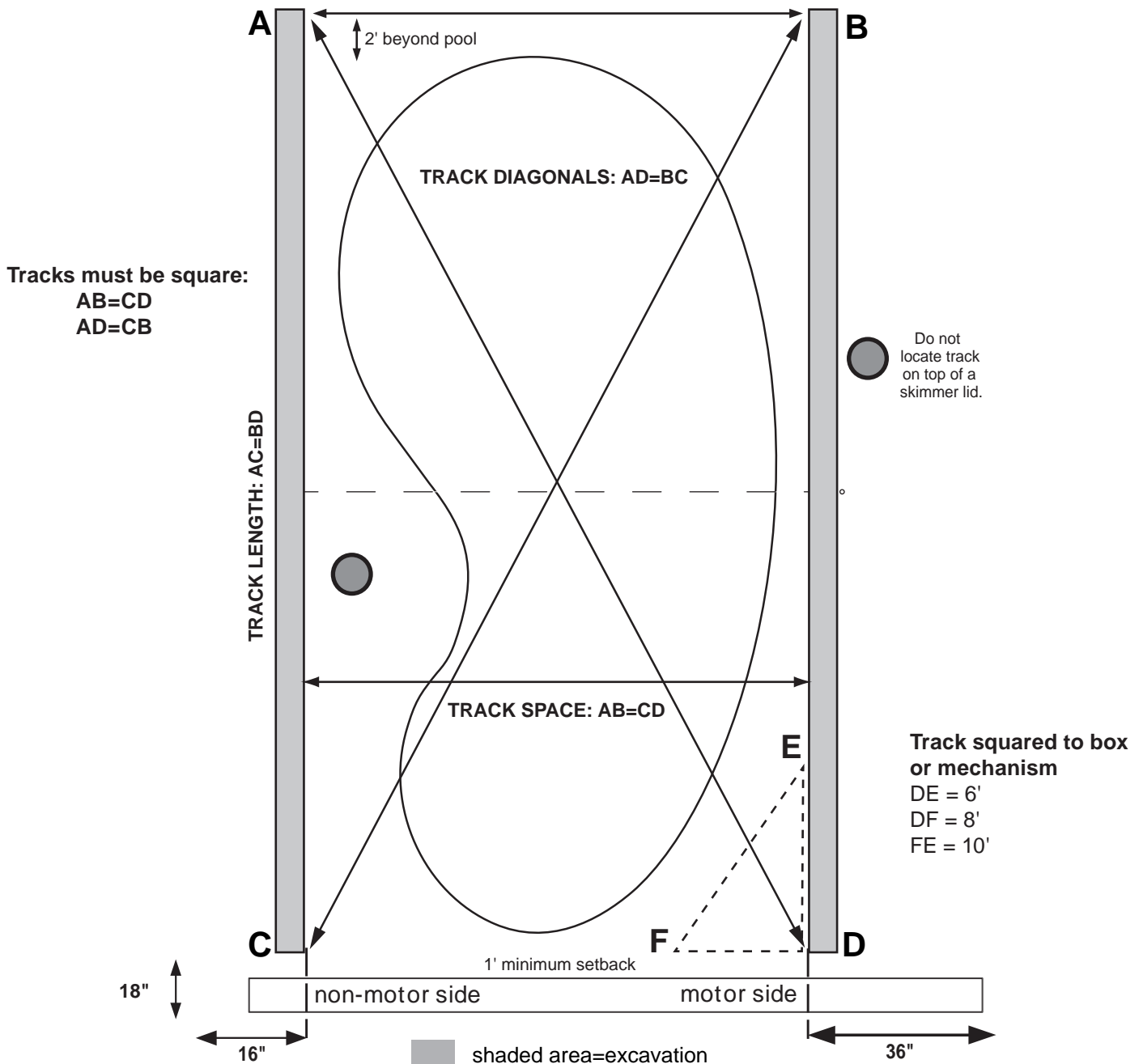
Recessed Mechanism—Undertrack

1. The tracks (and rectangular pools) must be a true rectangle. The tracks must be perpendicular to the unit mechanism and recessed housing (90°).
2. Over-dig the recessed cover box end of the pool 18" beyond the forms. Do not install plumbing within 14" of the deck in the housing area.
3. The motor can be on either end of the cover box.
4. Do not locate skimmers in the lowered pool wall.
5. All corners must be square (no radius) on the finished tile line or the coping.
6. Place 3" drain in floor or wall of recessed housing.



Recessed Mechanism—Universal or Recessed Track

The requirements of a recessed mechanism with a deck-mounted track are the same as the undertrack on the previous page. Universal track may be mounted at the pool edge. Recessed track must be set back 6" from the pool edge.



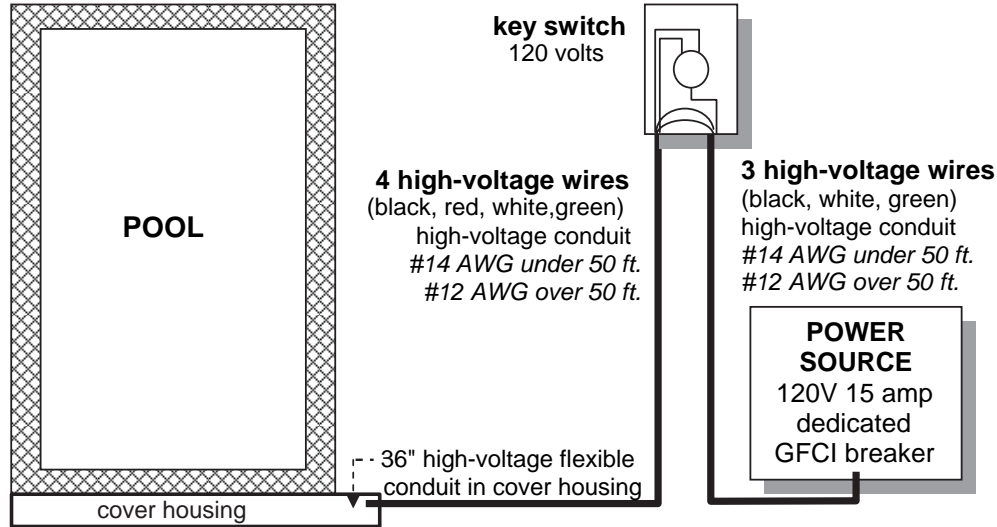
ELECTRICAL

3

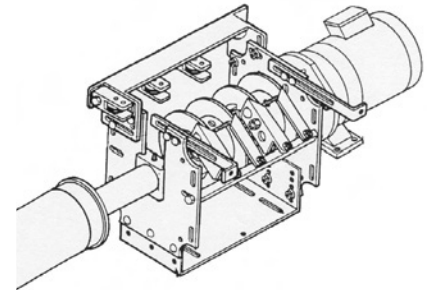
Choose electric or hydraulic power and controlling devices.

Keyed Motor Control (Standard Equipment)

¾ hp Motor with Slip Clutch



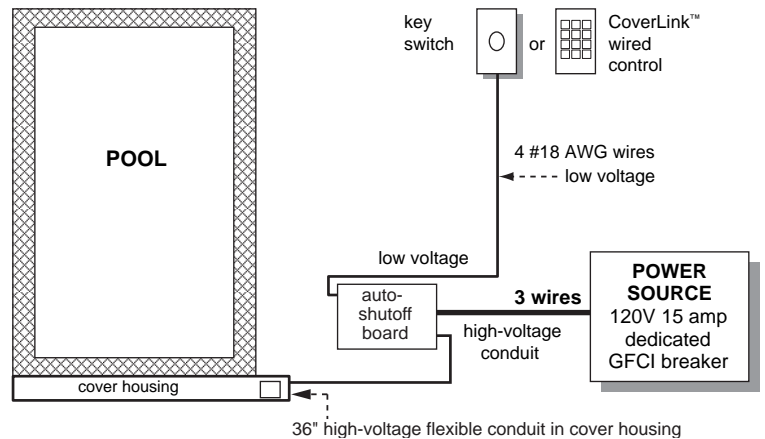
All switches must be mounted in full view of the cover operation.



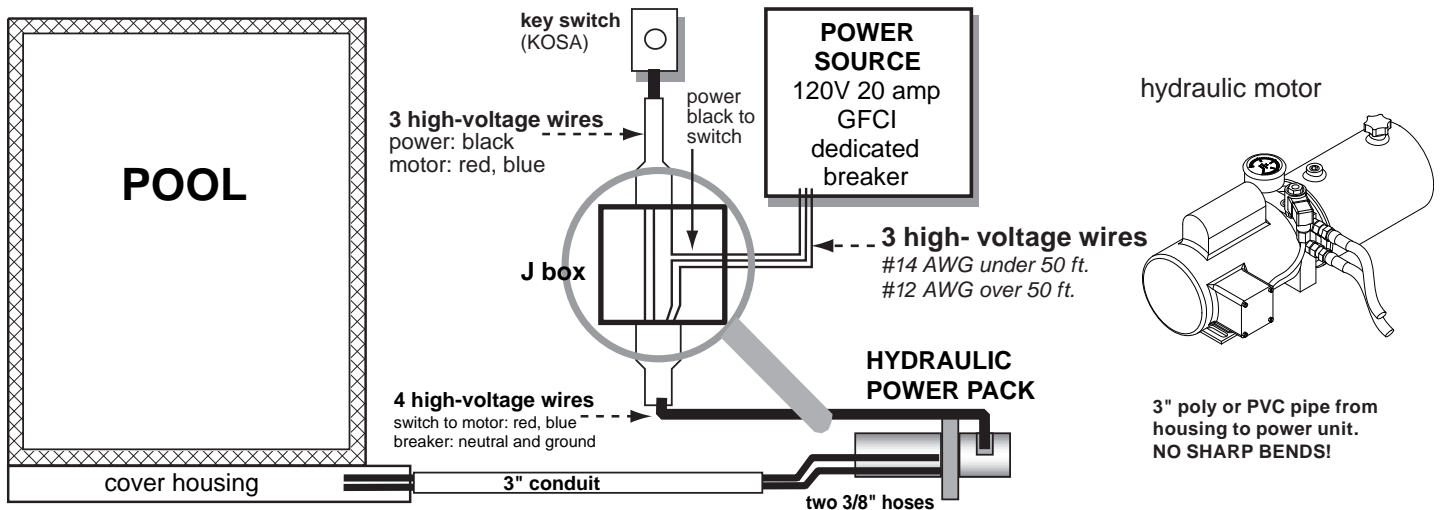
Auto-Shutoff with Amp Limiter (Standard Equipment)

(Standard Equipment)

¾ hp Motor without Slip Clutch



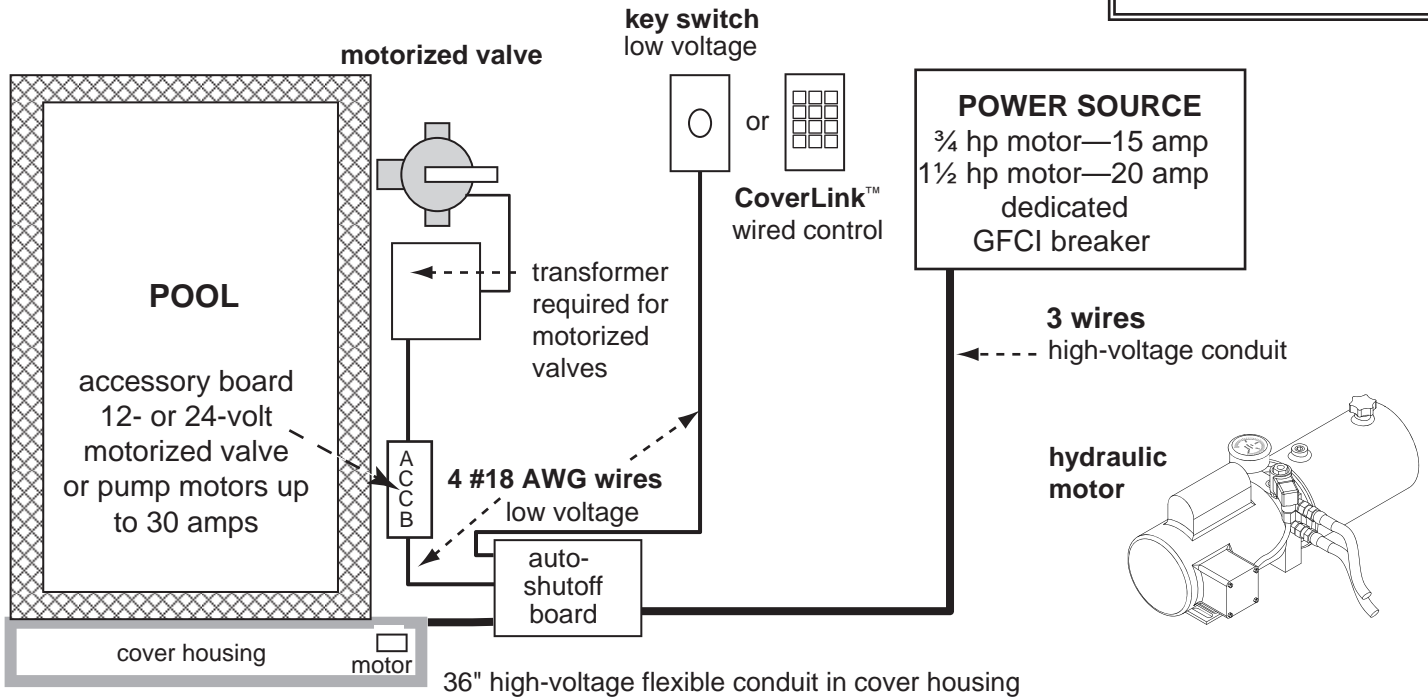
Hydraulic Power System (Optional)



Auto-Shutoff with Amp Limiter and Accessory Board (Optional)

¾ hp Motor or Hydraulic Motor

All switches must be mounted in full view of the cover operation.

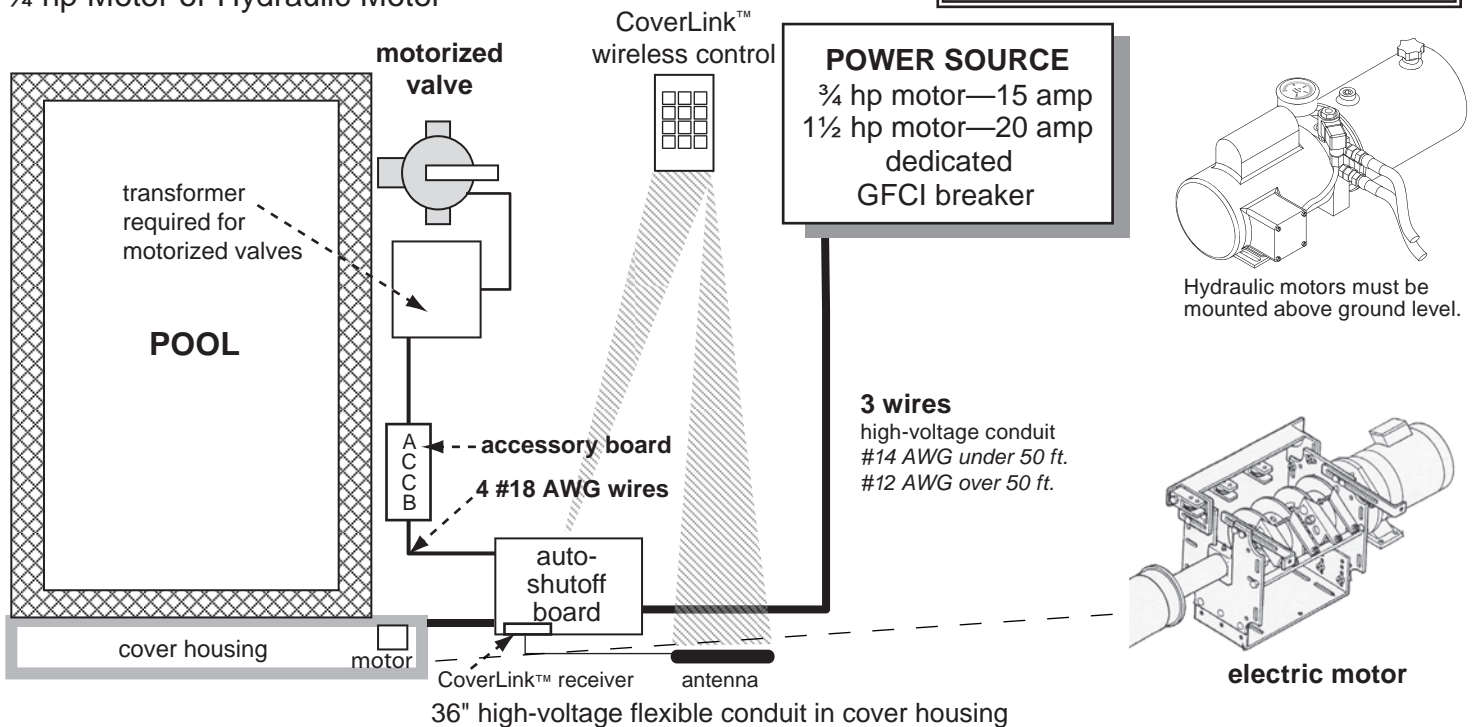


Auto-Shutoff with Amp Limiter/Accessory Board/Wireless

(Optional)

¾ hp Motor or Hydraulic Motor

Install the accessory board in or by the equipment room or equipment pad, away from the cover housing.

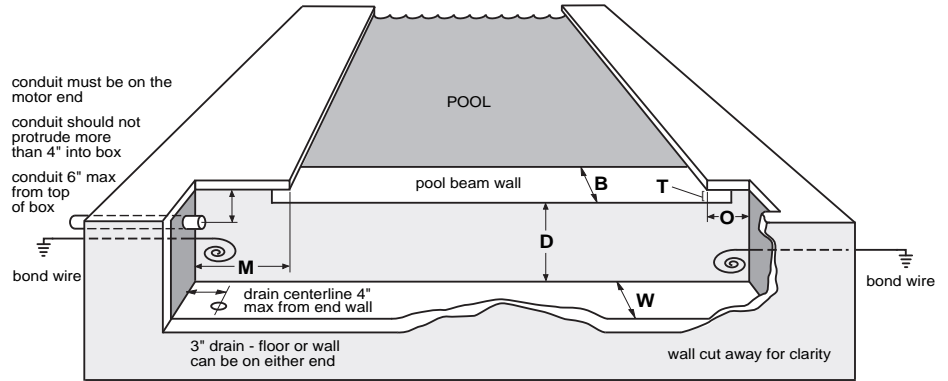


MECHANISM HOUSING

Choose a recessed mechanism (*concrete or wood box*) or deck-mounted mechanism. Systems include a lid assembly, bench frame assembly or fiberglass ends.

Recessed Concrete Box—Undertrack

- Hydraulic system needs one 3" conduit.
- Wireless touchpad needs one 3/4" conduit.
- Key switch needs one 3/4" conduit.
- Auto-shutoff needs two conduits:
 - One for 120V connection 3/4"
 - One for low-voltage wires 3/4"

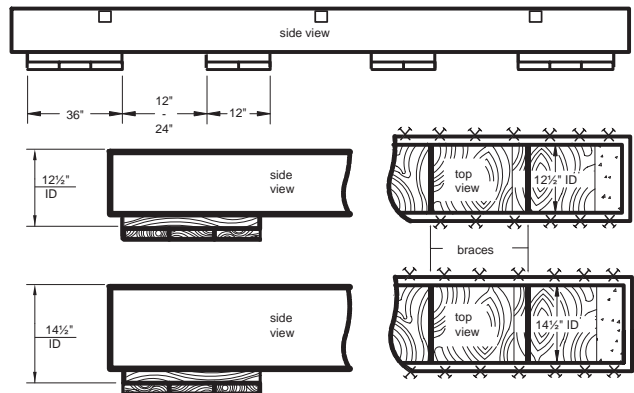


Undertrack Box Dimensions	MOTOR M	OPPOSITE O	BEAM B	THROAT T	DEPTH D	WIDTH W
Pools under 60 ft. long x 24 ft. wide	32"	10"	8-12"	2" to finished beam	12½"	12½"
Pools over 60 ft. long x 25 ft. wide	32"	10"	8-12"	2" to finished beam	14½"	14½"
Pools over 65 ft. long or 25 ft. wide and vanishing-edge pools — Call Cover-Pools 1-800-447-2838						

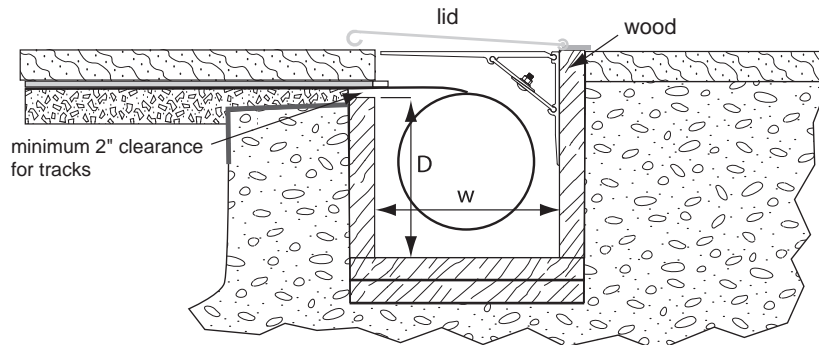
Recessed Wood Box Construction—Undertrack

Requirements:

- The material used to construct the box should be: 2" x 12" pressure-treated lumber or redwood
- Upper trim: 2" x 4" pressure-treated lumber or redwood



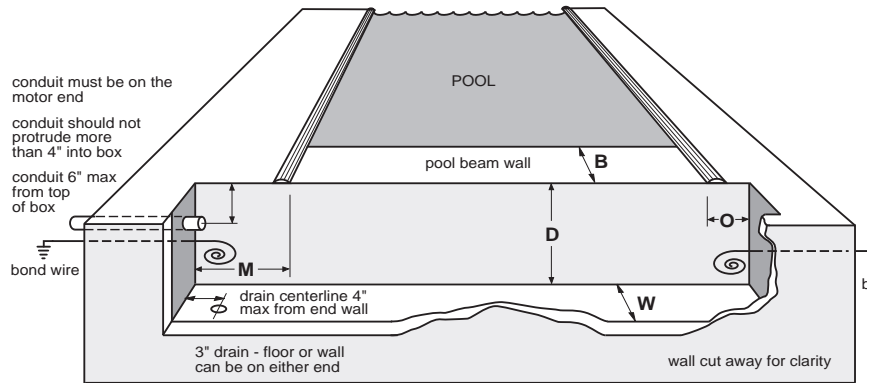
Box side view—Undertrack



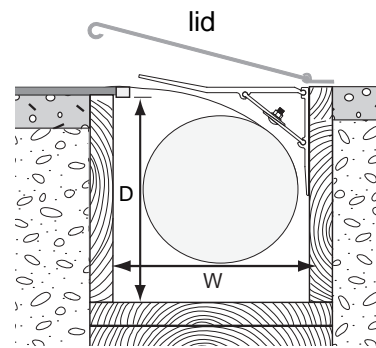
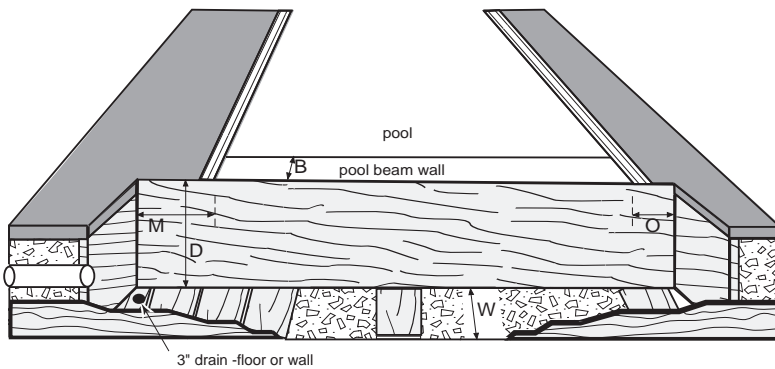
2" x 12" redwood or pressure-treated lumber

Recessed Concrete Box—Universal Track

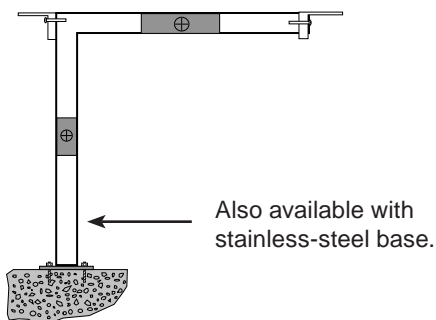
Hydraulic system needs one 3" conduit.
 Wireless touchpad needs one 3/4" conduit.
 Key switch needs one 3/4" conduit.
 Auto-shutoff needs two conduits:
 One for 120V connection 3/4"
 One for low-voltage wires 3/4"



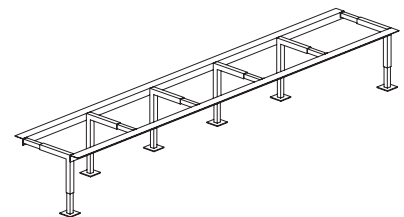
Recessed Wood Box Construction—Universal Track



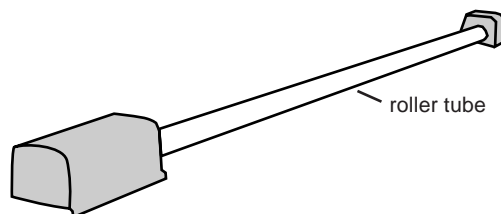
Deck-Mounted Bench Construction



Three-piece adjustable steel brackets provide a maximum height of 20" by 24" wide. Wood is not included.



Deck-Mounted Fiberglass Ends

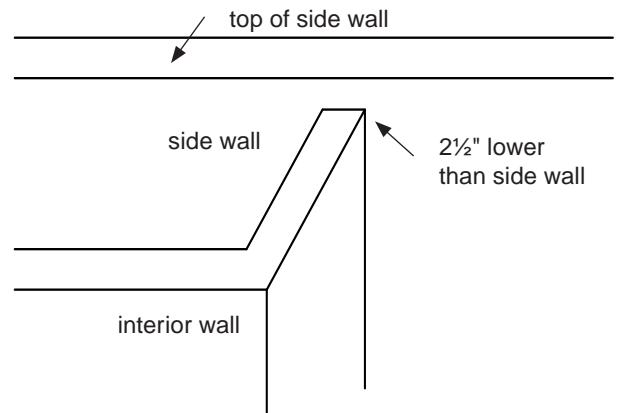
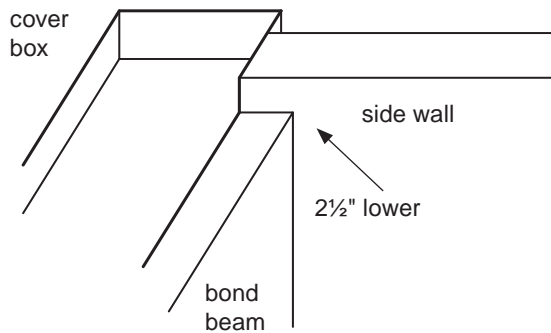
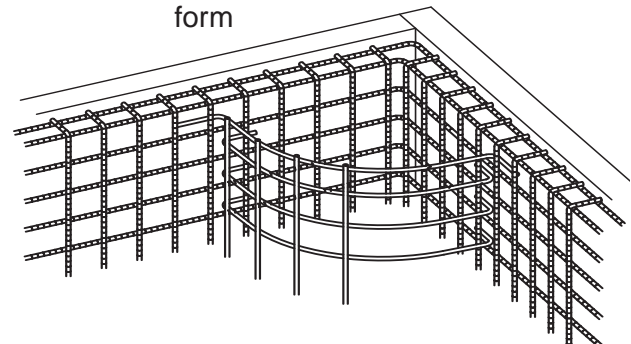
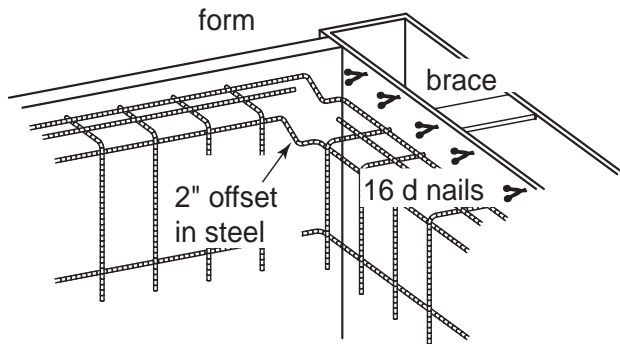


Fiberglass ends are an economical and practical solution to cover the deck-mounted mechanism. Available in white only.

COPING AND DECK

Consider the requirements for coping and deck installation.

Gunite Layout—Undertrack

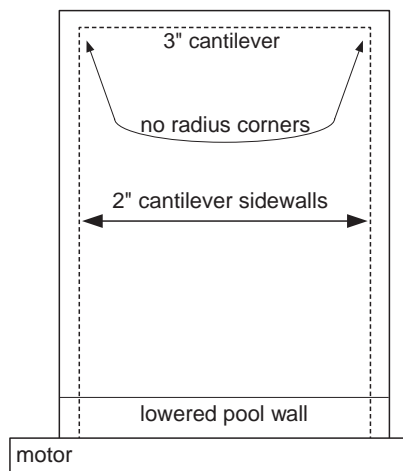


At the recessed box end, the pool wall (bond beam) must be shot 2 1/2" (2" finished with tile) lower than the side walls.

The top inside pool corners (above the waterline) must be square, not radius.

Any interior wall, such as for spas, also must be gunited 2 1/2" (2" finished with tile) lower than the side walls.

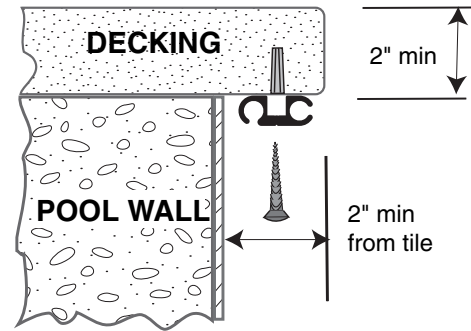
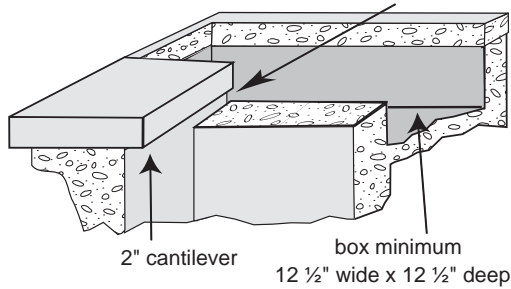
Coping or Deck Requirements—Undertrack



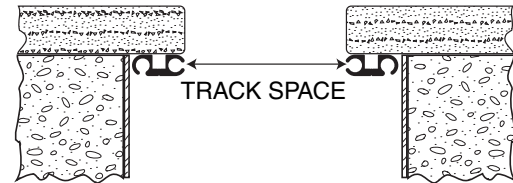
- All corners of the coping must be square
- Minimum **2" cantilever** from tile on **side walls**
- Minimum **3" cantilever** from tile on **end wall** opposite the mechanism

Coping or Deck Requirements—Undertrack (cont.)

Opening for the track must be $2\frac{1}{2}$ " at box (2" finished with tile), sloping to 3" inside pool



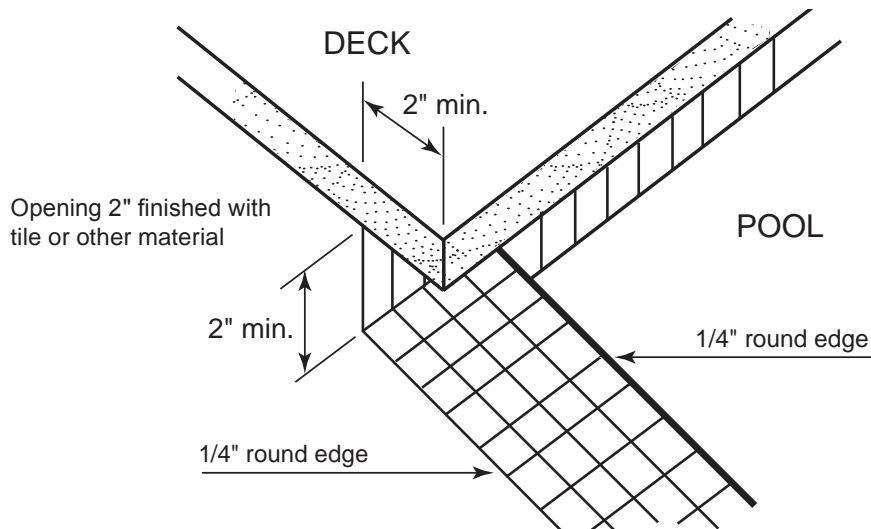
NOTE: The track must be mounted on the flat bottom of the coping. The coping measurement is **NOT** the track space. Coping must not extend more than $\frac{1}{2}$ " past the edge of the track.



Tile Beam—Undertrack

The lowered pool wall is finished with a tile surface.

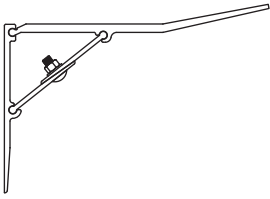
For the lowered wall edge, use a rounded tile on the front and back edges to minimize scraping on the cover.



RECESSED BOX COVER

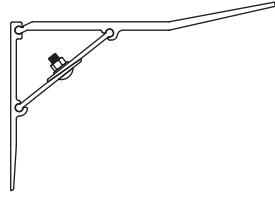
Choose lid and brackets to cover recessed box.

Brackets



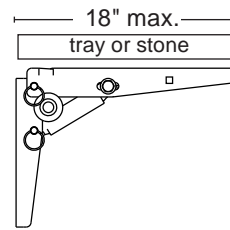
Adjustable Tilted Bracket for Universal and Recessed Track

- Stepped or tilted anodized aluminum lid available with 4" or 6" hinge



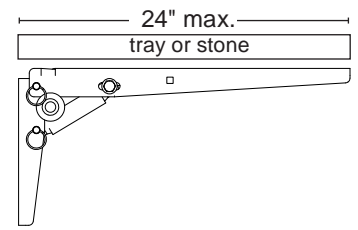
Adjustable Bracket for Undertrack

- Standard anodized aluminum lid available with 4" or 6" hinge



12" Stainless-Steel Bracket

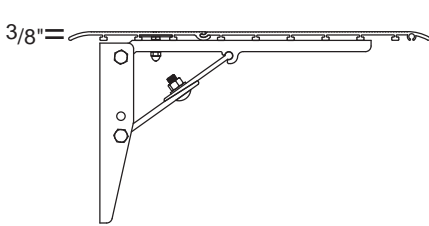
- For any tray less than 18"



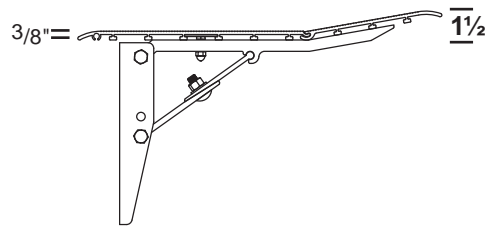
18" Stainless-Steel Bracket

- Maximum bracket spacing is two feet
- For trays 18-24" wide

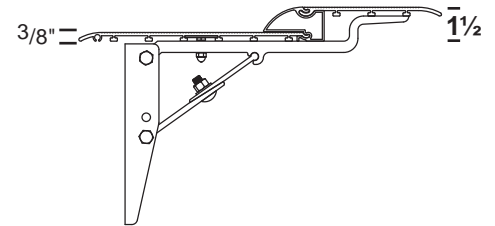
Bezel™ lids



Flat Bezel™ Lid

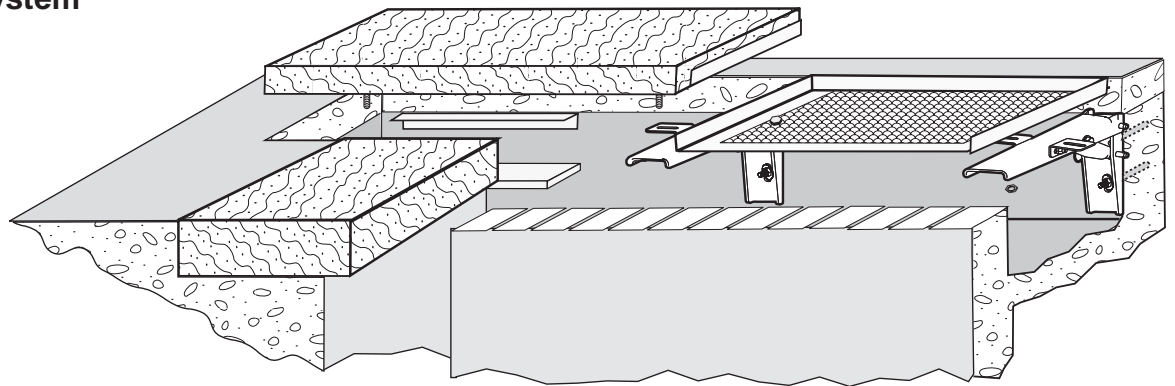


Tilted Bezel™ Lid



Stepped Bezel™ Lid

Vanishing Lid™ System



NOTE:

Walk-on Vanishing Lid™ systems require a concrete housing, or, if using a wood housing, a concrete wall must be poured behind the box for anchoring brackets.

Walk-On Vanishing Lid™

This design offers an adjustable tray support system for any type of deck material. Stainless-steel trays and brackets provide the support base for a strong walk-on lid that can blend with the surrounding deck.

Note: The deck thickness must be increased for extended trays if the leading edge is going to fit under the tray. Contact Cover-Pools for more information.

The maximum width of any tray is 24".

The maximum length of tray is 36".

SPECIFICATIONS

Review system details for Save-T® covers.

Fabric

- **5-year limited prorated standard warranty**
- **16 oz., 23 mil Herculite premium bonded vinyl**
- **Low-stretch rope and webbing (2000-lb. break)**
- **9 standard colors: dusky blue, royal blue, light blue, aqua, forest green, beige, tan, gray, and black**
- 35 custom colors
- 20 oz., 28 mil Herculite premium-plus fabric with limited prorated 7-year warranty, available in light blue, dusky blue, and beige

Track Styles

- **7-year limited warranty on all aluminum extrusions**
- **All aluminum extrusions are 100% anodized**
- **Undertrack, universal or recessed track**
- **Safety-Lock track channel**
- Top-mounted track channel for concrete and fiberglass pools
- Inverted track channel for concrete or deck-on-deck applications
- 2-piece channel system for vinyl pools
- 1-piece coping channel for vinyl pools
- Reusable coping forms
- 45-degree vanishing-edge pools
- 90-degree vanishing-edge pools

Mechanism

- **Lifetime limited warranty on mechanism**
- **100% anodized aluminum frame and components**
- **Stainless-steel hardware**
- **Stainless-steel drive components**
- **Positive-shift system**
- **Standard units include either heavy-duty slip clutch or auto-shutoff with amp limiter**
- **Exclusive! independent or locked rope reels**
- **24-bearing #440 heavy-duty pulleys**

Power and Controls

- **3-year limited warranty on all electrical**
- **3/4 hp waterproof electric motor**
- 1 ½ hp/2000 PSI hydraulic system
- **Safety lockout key control**
- CoverLink™ touchpad control
- Low-voltage auto-shutoff with key switch
- Low-voltage touchpad
- Low-voltage water-feature shutoff

Mechanism Covers

- **Standard 12" aluminum lid with either 4" or 6" hinge**
- Bezel™ lids, 16" and 18"
- Vanishing Lid™ trays, 12"–24" wide with stainless-steel trays and stainless-steel adjustable brackets
- **Fiberglass deck-mounted mechanism ends**
- **Bench bracket frames**

Safety

- * **Exceeds ASTM F1346-91 requirements**
- * **Full UL listing**
- * **Bonding included with all systems**
- * **Automatic water-removal cover pump included**
- * **NOTE:**
Some cover manufacturers treat cover pumps and bonding as options for their systems. A solid safety cover without a pump is NOT approved to ASTM F1346-91 safety standards. The installation of an automatic cover system without bonding is not a UL-listed product.

Other Options

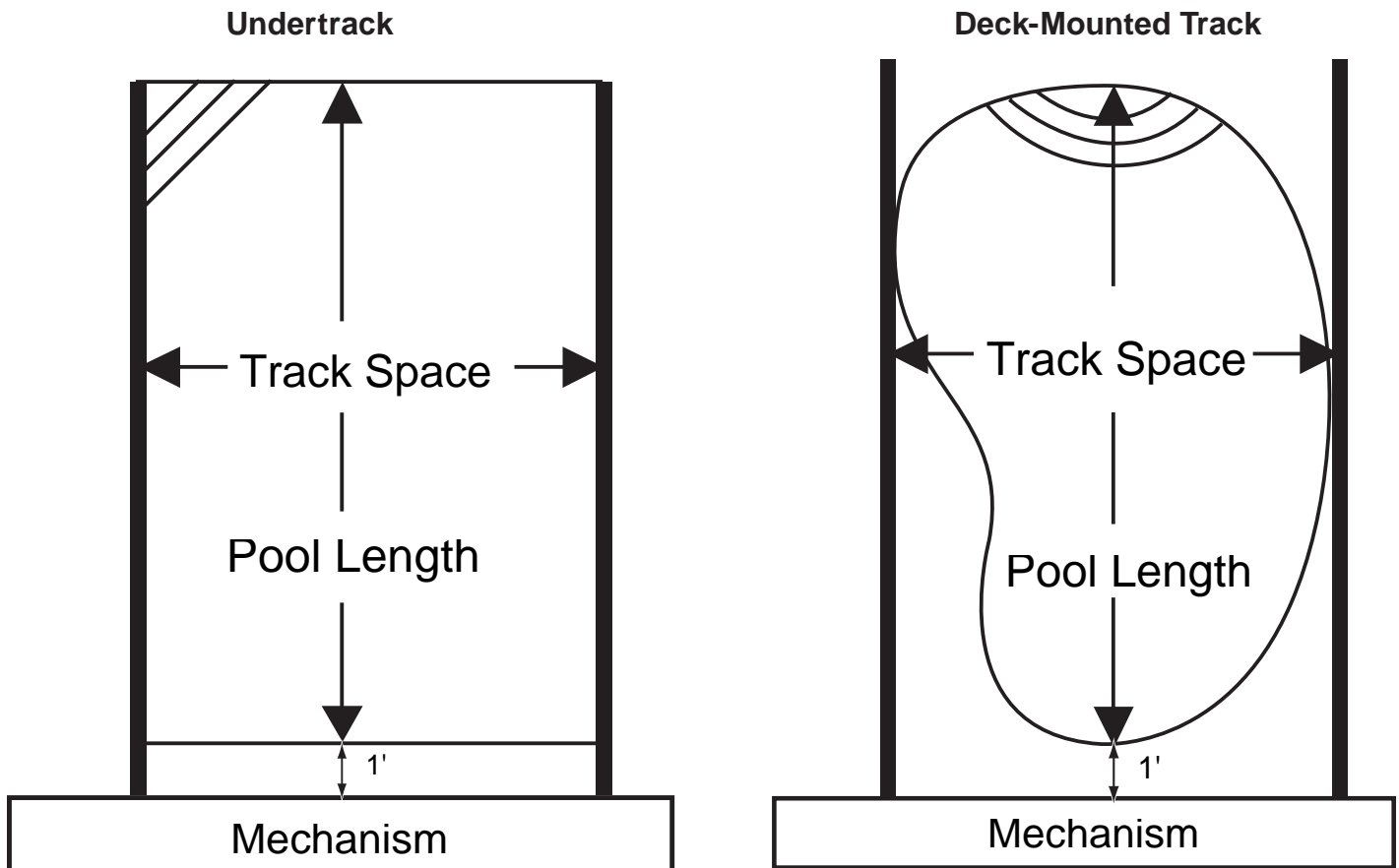
- **Painting**—all extrusions can be painted to match most deck surfaces or fabric colors
- **Designer Series® cover**—custom graphics can be painted onto the fabric surface
- **ABS recessed box**

Standard items are in bold type.

COVER SIZING AND PRICING

Determine pricing according to the cover specifications.

Pricing based on motor mechanism being installed one foot from pool edge, motor position on left or right.



TRACK SPACE x POOL LENGTH=COVER SQUARE-FOOT PRICING

Track widths over 25' or lengths over 65' require factory approval (maximum track space is 36').

Cost considerations

Excavation/Plumbing

- Housing excavation
- 3" drain for housing
 - drain to air?
 - drain to pit?
- 3" conduit for hydraulic-unit housing

Electrical

- Conduit for mechanism power
- Electric run to key switch
- 15-amp GFCI dedicated circuit for mechanism at panel (20 AMP for hydraulic)
- Electric runs over 50' require heavy-gauge wire
- Electrical run for accessory board

Concrete

- Concrete, gunite or shotcrete box, minimum 6" thick, 3500 PSI, no rebound
- Additional deck around housing/mechanism
- Tile on lower beam, beam cover or other

Cover/Mechanism

- Unit price based on track space x pool length including steps, plus options
- Track space 25' 6" or more may require a larger main mechanism tube and larger leading edge for fabric

Track

- Undertrack or universal track standard
- Track channel for concrete or fiberglass pools
- Recessed track
- SnapTop™ universal track
- Vinyl-liner pool coping
 - 90°, 6" or 24" radius
- Track channel for vinyl-liner pools
- Vanishing edge
 - 45° or 90°

Housing

- Aluminum lid, bench brackets or fiberglass ends standard
- Painted extrusions
- Step-on Bezel™ lids
- Walk-on Vanishing Lid™ trays
- Bench for deck-mounted mechanism

Power/Controls

- 110 V motor and hard-wired 3-wire key standard
- Auto-shutoff
- Water-feature shutoff/accessory board
- Wireless CoverLink™ digital touchpad control
- Wired CoverLink™ digital touchpad control
- Hydraulic motor

COVER POOLS®

Save-T® 3 | big RED

STANDARD FABRIC COLORS

- Dusky Blue
- Beige
- Light Blue
- Royal Blue
- Aqua
- Forest Green
- Tan
- Gray
- Black

KEY SWITCH

- 3-wire key switch for simple wiring (previously 6 wires)
- mounts in standard gang box

3/4 hp WATERPROOF MOTOR

- 3/4 hp, 41 rpm, 1600 In-lbs of torque
- capacitor-start, capacitor-run
- O-ring sealed and potted wire-entry points
- stainless-steel gears with sealed permanent grease
- UL Listed

SLIP CLUTCH

- stainless-steel and aluminum construction
- long-wearing industrial-grade friction material (not plastic)
- waterproof and temperature-proof operation
- no replacement parts needed
- lifetime warranty

AUTO-SHUTOFF WITH AMP LIMITER

- compact potted waterproof design
- adjustable amp limiter overload safety circuit
- LED indicator and diagnostic lights
- optional water-feature control board (can control 12- and 24-volt motorized valves or pump motors up to 30 amps)

EXCLUSIVE! INDEPENDENT OR E-Z LOCK ROPE REELS

- choose between ratcheting or locked rope reels
- easy adjustment on out-of-square pools
- simple adjustment of cover alignment for locked applications
- simple change-over to locked or unlocked reels

POSITIVE SHIFT SYSTEM

- all stainless-steel shaft and shifting-dog components
- no shear pins or bolts
- 3/8" solid stainless-steel drive dowel

ROLLER TUBE BRAKE

- stainless-steel brake adjuster
- easy to adjust
- keeps cover tight



COVERLINK™ CONTROL

- wireless systems use secure FM-radio technology with signal lock
- 10-number key pad
- fits in a single gang box
- uses AA batteries

ROPE STOP

- enables adjustment to lengthen or shorten the effective rope length

WEBBING STOP BLOCK

- simple installation to set cover travel length
- clamp design allows easy adjustment

